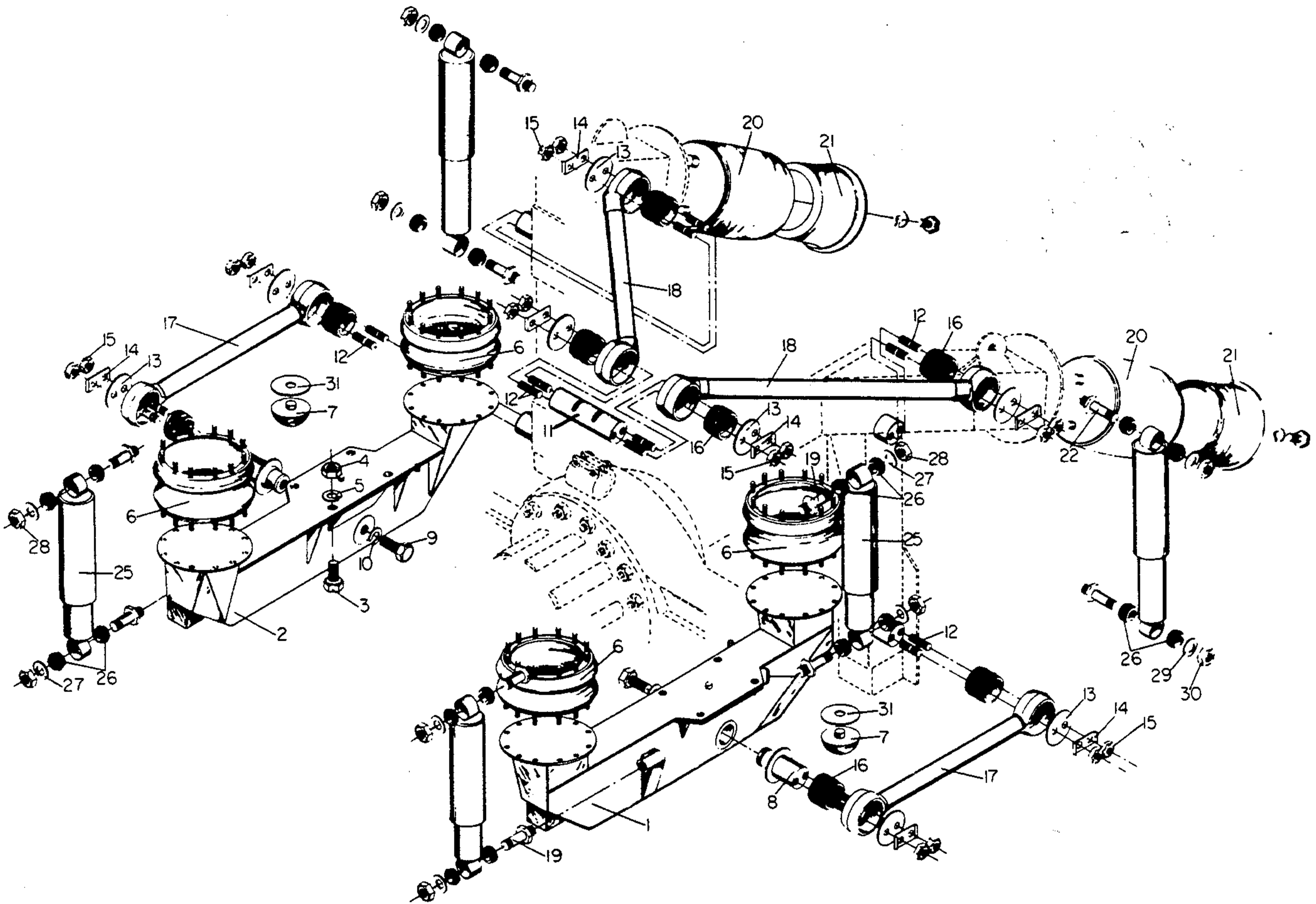


MC-9 PARTS MANUAL



KEY	PART NUMBER	DESCRIPTION	NOTE	QTY.
<u>REAR SUSPENSION</u>				
1	12F-3-2	Suspension Support - L.H. Rear	a	1
2	12F-3-1	Suspension Support - R.H. Rear	a	1
3	12C-3-27	Bolt - Suspension Support, 3/4" - 16 x 3"		8
4	19-3-108	Nut - 3/4" - 16 Hex.		8
5	19-3-112	Jam Nut - 3/4" - 16		8
6	12C-3-52	Bellows - Drive Axle Suspension		4
	12C-3-51	Bellows Only		1
	12-3-661	Bead Ring		2
	12-1-203	Bolt - Bellows Mounting		24
	19-2-26	Lock Washer - 5/16"		24
	19-3-15	Nut - 5/16" - 24		24
7	12-1-256	Rubber Bumper		2
8	12C-3-35	Pin - Radius Rod, On Suspension Support		2
9	12C-3-37	Cap Screw - Radius Rod Pin, 1" - 14 x 2"		2
10	12C-3-38	Lock Washer - 1" Shakeproof		2
11	2B-2-26	Pin - Radius Rod Anchor to Rear Axle		1
	19-1-311	Bolt - Radius Rod Anchor Pin Mtg. 5/8-18 x 5		2

MC-9 PARTS MANUAL

KEY	PART NUMBER	DESCRIPTION	NOTE	QTY.
		<u>REAR SUSPENSION CONT'D</u>		
	19-3-110	Nut - Radius Rod Anchor Pin Mounting Bolt 5/8" - 18		2
12	12-1-207	Stud - Radius Rod Pins		16
13	12-1-208	Washer - Radius Rod Stud		8
14	12-1-211	Lock Strap - Stud Nuts		8
15	19-3-109	Nut - Radius Rod Studs, 3/4" - 16		16
	19-1-785	Cap Screw - Radius Rod Pins		16
16	12-1-206	Bushing - Radius Rod, Firestone		8
17	12C-3-55	Radius Rod - Rear Lower		2
18	12C-3-56	Radius Rod - Rear Upper		2
19	12B-1-21	Pin - Shock Mounting, Drive Axle		8
20	12M-4-6	Bellows - Trailing Wheel		2
	12F-4-34	Bellows Only		1
21	12M-4-7	Piston - Trailing Wheel Bellows		1
	19-1-286	Bolt - 1/2" - 20 x 1"		1
	19-2-107	Washer - 1/2"		1
22	12B-1-21	Pin - Shock Mounting, Trailing Wheels		4
25	12B-5-1	Shock Absorber		6
26	12-5-123	Bushing - Shock Absorber		24
27	12A-1-101	Washer - Shock Mounting		8
28	19-3-249	Nut - Shock Mounting, 7/8" - 14		8
29	12A-1-101	Washer - Shock Mounting, Trailing Wheels		4
30	19-3-102	Nut - Shock Mounting Trailing Wheels		4
31	12R-1-6	Spacer - Between Rubber Bumper & Rear Bogie Air Beam W/8V-71 Engine & HT-740D Transmission		2

MC-9 PARTS MANUAL

